

CHEMICAL SOCIETY REVIEWS

THE ROYAL
SOCIETY OF
CHEMISTRY

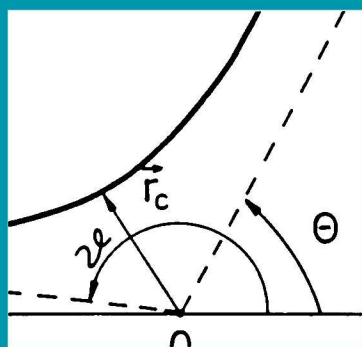
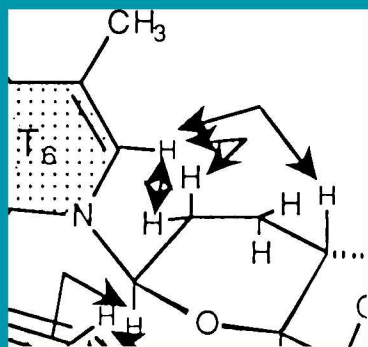


Information
Services

Volume 21 Issue 1

Pages 1–84

March 1992



Chemistry of Potentially Prebiological Natural Products

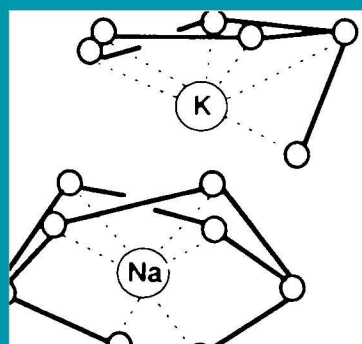
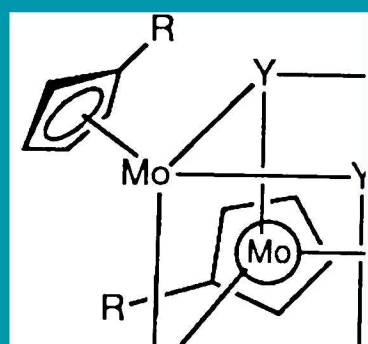
By Albert Eschenmoser and Eli Loewenthal 1

The Theory of Atomic and Molecular Collisions

By John N. Murrell and S. Danko Bosanac 17

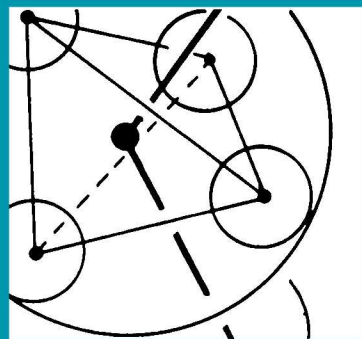
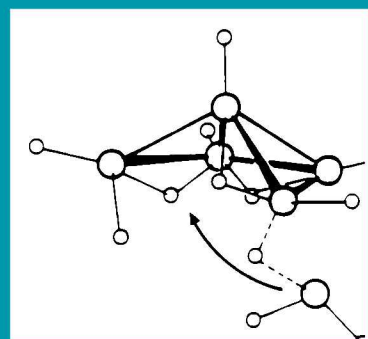
Cyclopentadienyl Molybdenum and Tungsten Dihalides

By Malcolm L. H. Green and Philip Mountford 29



Lariat Ethers: From Simple Sidearms to Supramolecular Systems

By George W. Gokel 39



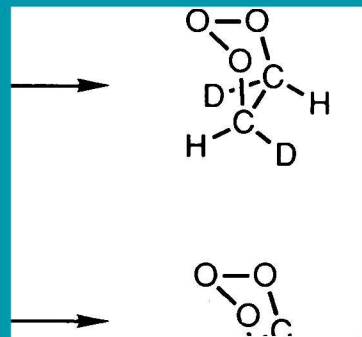
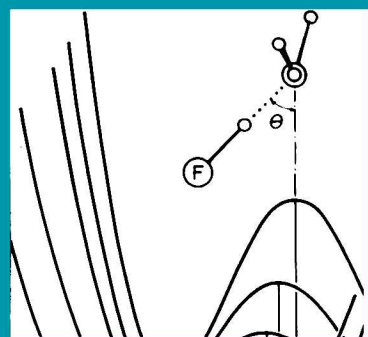
LUDWIG MOND LECTURE

Taking Stock: The Astonishing Development of Boron Hydride Cluster Chemistry

By Norman N. Greenwood 49

The VSEPR Model Revisited

By Ronald J. Gillespie 59



The Nature of the Hydrogen Bond to Water in the Gas Phase

By A. C. Legon and D. J. Millen 71

The Structure and Mechanism of Formation of Ozonides

By Robert L. Kuczkowski 79

ISSN 0306-0012

Chemical Society Reviews

Editorial Board

Professor H. W. Kroto FRS (Chairman)	University of Sussex
Professor M. J. Blandamer	University of Leicester
Dr. A. R. Butler	University of St. Andrews
Professor B. T. Golding	University of Newcastle upon Tyne
Professor M. Green	University of Bath
Professor D. M. P. Mingos	Imperial College London
Professor J. F. Stoddart	University of Birmingham

Consulting Editors

Dr. G. G. Balint-Kurti	University of Bristol
Professor S. A. Benner	Swiss Federal Institute of Technology, Zürich
Dr. J. M. Brown	University of Oxford
Dr. J. Burgess	University of Leicester
Dr. N. Cape	Institute of Terrestrial Ecology, Lothian
Professor A. Hamnett	University of Newcastle upon Tyne
Dr. T. M. Herrington	University of Reading
Dr. R. Hillman	University of Bristol
Professor R. Keese	University of Bern
Dr. T. H. Lilley	University of Sheffield
Dr. H. Maskill	University of Newcastle upon Tyne
Professor Dr. A. de Meijere	University of Göttingen
Professor J. N. Miller	Loughborough University of Technology
Professor S. M. Roberts	University of Exeter
Professor B. H. Robinson	University of East Anglia
Dr. A. J. Stace	University of Sussex

Staff Editors

Mr. K. J. Wilkinson	Royal Society of Chemistry, Cambridge
Dr. J. A. Rhodes	Royal Society of Chemistry, Cambridge

It is intended that **Chemical Society Reviews** will have the broad appeal necessary for researchers to benefit from an awareness of advances in areas outside their own specialities. Deliberate efforts will be made to solicit authors and articles from Europe and further afield, in order to present a truly international outlook on the major advances in a wide range of chemical areas. It is hoped that it will be of interest and help to students planning a career in research. In particular, it will be the place to find succinct and authoritative overviews of timely topics in modern chemistry.

In line with the above, review articles will not be comprehensive, too detailed, or heavily referenced; they should act as a springboard to further reading. Interdisciplinary awareness should thereby be heightened and the student should be stimulated to take a more professional interest in the topic of the review.

Although the majority of articles are intended to be specially commissioned, the Society is always prepared to consider offers of articles for publication. In such cases a short synopsis, rather than the completed article, should be submitted to the Senior Editor (Reviews), Books and Reviews Department, The Royal Society of Chemistry, Thomas Graham House, Science Park, Milton Road, Cambridge CB4 4WF.

© The Royal Society of Chemistry, 1992

All Rights Reserved

No part of this publication may be reproduced, stored in a retrieval system, or transmitted in any form, or by any means, electronic or mechanical, photographic, recording, or otherwise, without the prior permission of the publishers.

Typeset by Servis Filmsetting Ltd.
Printed in Great Britain by
Blackbear Press Ltd.